

Dynapac CC1300

Double drum vibratory rollers

Atlas Copco



Technical data



Masses

| | |
|-----------------------------|----------------|
| Max. operating mass | 4,030 kg |
| Operating mass (incl. ROPS) | 3,900 kg |
| Module mass (front/rear) | 1,900/2,000 kg |



Traction

| | |
|--------------------------|-----------|
| Speed range (Dual/TC/AS) | 0-10 km/h |
| Vertical oscillation | ±10° |
| Theor. gradeability | 37 % |



Compaction

| | |
|---------------------------------|-----------------|
| Centrifugal force | 33 kN |
| Nominal amplitude | 0.5 mm |
| Static linear load (front/rear) | 14.5/15.4 kg/cm |
| Vibration frequency | 52 Hz |
| Water tank | 200 l |



Engine

| | |
|------------------------|----------------------------|
| Manufacturer/Model | Kubota V2203-M (T4i) |
| Type | Water cooled |
| Rated power, SAE J1995 | 33 kW (44 hp) @ 2,600 rpm |
| Fuel tank capacity | 50 l |



Hydraulic system

| | |
|--------------------------------|---|
| Driving | Axial piston pump with variable displacement. Radial piston motors (2) with constant displacement. |
| Vibration | Gear pump/motors with constant displacement. |
| Steering | Gear pump with constant displacement. |
| Service brake | Hydrostatic in forward and reverse lever. |
| Parking/ Emergency brake | Failsafe multidisc brake in both drums. |

Find us locally at www.atlascopco.com

We reserve the right to change specifications without notice. Photos and illustrations do not always show standard versions of machines. The above information is a general description only, all informations are supplied without liability.

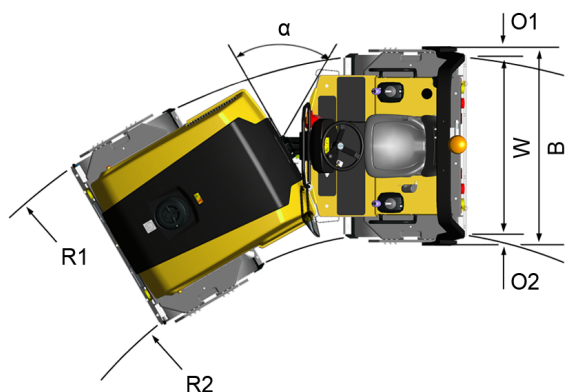
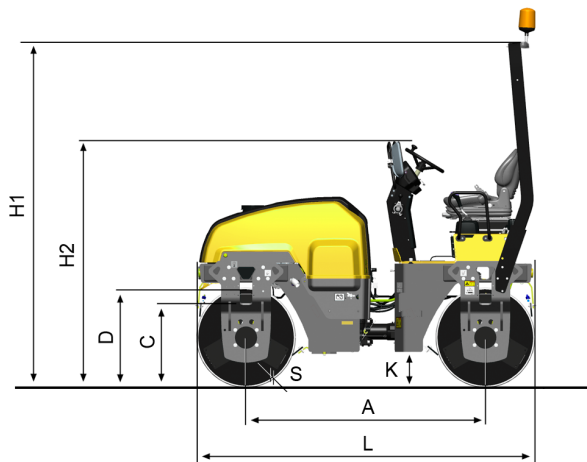
rce_cc1300_en-20150331.105859.pdf 2015-03-31 10:59

Dynapac CC1300

Double drum vibratory rollers

Atlas Copco

Technical data



| Dimensions | |
|-----------------------------|----------|
| A. Wheelbase | 1,925 mm |
| B. Width | 1,450 mm |
| C. Curb clearance | 600 mm |
| D. Drum diameter | 802 mm |
| H1. Height, with ROPS/cab | 2,750 mm |
| H2. Height, w/o ROPS/cab | 1,855 mm |
| K. Ground clearance | 260 mm |
| L. Length | 2,725 mm |
| O1. Overhang, right | 50 mm |
| O2. Overhang, left | 50 mm |
| R1. Turning radius, outside | 4,240 mm |
| R2. Turning radius, inside | 2,940 mm |
| S. Drum shell thickness | 16 mm |
| W. Drum width | 1,300 mm |
| α. Steering angle | ±30° |



Standard equipment

Backup alarm, Working lights



Optional equipment

3" seatbelt, Biodegradable hydraulic fluid, Cert. Fire protection (SBF 127), Decal risk location (GOST), Fire extinguisher, Foot rest, Hearing protectors, Licence plate light, Rear view mirror (traffic view), Service kit 50/500/1000H, Side direction lights (driving lights required), Slow moving vehicle sign, Special color (one or two), Tool set, Towing eyelet, Water tank cover (lockable)

Find us locally at www.atlascopco.com

We reserve the right to change specifications without notice. Photos and illustrations do not always show standard versions of machines. The above information is a general description only, all informations are supplied without liability.